



M80 v4 On-Wall



Every member of our Axiom team is pleased that you have decided to purchase one of our products. We have all worked hard to bring the highest level of satisfaction to your audio experience.

Axiom is deeply committed to ongoing audio research. It began in the early 1980s when I was involved with the world-class psycho-acoustical research that was being conducted at the National Research Council in Ottawa, Canada. Since that time we have built one of the finest acoustical laboratories in the world at our facility in Dwight, Canada where we continue this research allowing Axiom to provide the world's most realistic-sounding loudspeakers.

At Axiom our goal is to provide you with a truly exciting and emotional experience every time you listen to your audio system. We want you to feel part of our Axiom family and as such we stand at the ready to deliver personal, expert advice on any of your audio needs.

Sincerely,

Ian Colquhoun  
President and Founder  
Axiom Audio

## Placement

This is by far the most important step before we even begin the installation. For the most effective placement the speakers should be at roughly the same height as the middle of the TV screen they are to be used with, one to the left and one to the right of the screen. Otherwise, a height of five or six feet from the floor is ideal. Avoid corner locations if possible. Separate the left and right speakers by about 5 to 10 feet, or roughly half the listening distance. Please make sure the speaker wire has a clear path from your stereo or A/V receiver to the placement of your speaker.

The Axiom On-Wall Speakers are designed to be installed on a common stud wall, preferably fastened directly to a stud. If this is not possible the use of a suitable wall anchor (not included) will be required.

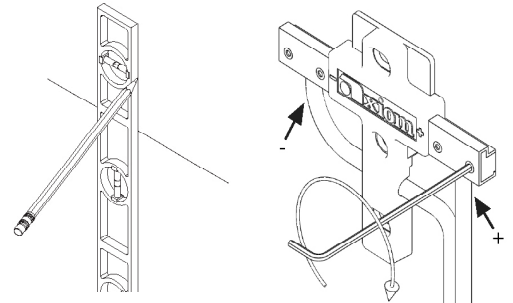
## Power Bracket Installation

The Axiom Power Bracket provides easy wall mounting and electrical connections in one innovative design. Simply connect your speaker wires, mount the bracket to the wall, and hang your speaker. The negative is on the left side of the bracket and the positive is on the right. Most receiver and amplifier manufacturers color code the output terminals with RED being POSITIVE and BLACK being NEGATIVE.



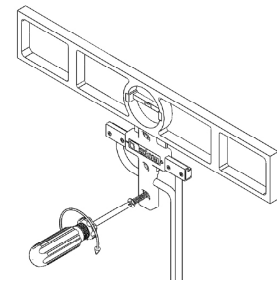
### Step 1

Using a pencil and a level, draw intersecting horizontal and vertical lines on wall at desired speaker location. Note: It is extremely important to place the center of the Power Bracket up against a stud on the wall for security. Loosen clamps and insert wires. Ensure positive (+) wire from amp is in (+) side of power bracket. Tighten clamps.



### Step 2

Place bracket on the wall and align with pencil lines. Install screws. Do not completely tighten yet. Place a level on top of power bracket and make any necessary adjustments. Tighten screws. Wash off pencil marks.



### Step 3

Place the Wall Bumpers on the back bottom corner of the speaker.

### Step 4

Lift your speaker over the Power Bracket and slide it down until the tabs on the back of your speaker rest securely on the Power Bracket.



**WARNING:** Do not loosen bolts on power tabs. Doing so will cause the speaker to lose electrical connection and render the speaker inoperable.



AXIOM AUDIO HEAD OFFICE: 2885 HIGHWAY 60  
DWIGHT, ON CANADA  
P0A 1H0

TOLL FREE (NORTH AMERICA): 1-888-352-9466  
WORLDWIDE: 1-705-635-2222  
EMAIL: [INFO@AXIOMAUDIO.COM](mailto:INFO@AXIOMAUDIO.COM)

[www.axiomaudio.com](http://www.axiomaudio.com)

For detailed specifications please visit [www.axiomaudio.com](http://www.axiomaudio.com)