

The Axiom Warranty

All our speaker models; towers, bookshelves, surrounds, centers, subwoofers and all our amplifiers; subwoofer and multichannel amplifiers are warrantied against manufacturer's defects for 5 years.

AXIOM CANADA INC. warrants this audio loudspeaker system (the "Product") to be free from original manufacturing defects in materials and workmanship for five years from date of purchase from an authorized Axiom dealer. This warranty extends only to the original consumer purchaser. AXIOM CANADA INC. does not warrant goods used in commercial or industrial applications. This warranty does not cover any expenses incurred in any removal or re-installation of the product.

If the product should prove so defective within the warranty period, return the product by prepaid delivery to AXIOM CANADA INC., along with the original sales invoice or other proof of purchase, which establishes eligibility for warranty service. AXIOM CANADA INC. will, at its option, replace or repair the product free of charge and return the product by prepaid delivery. This warranty does not apply to any product, which has been damaged, misused, altered or repaired by anyone other than an AXIOM CANADA INC. authorized service facility.

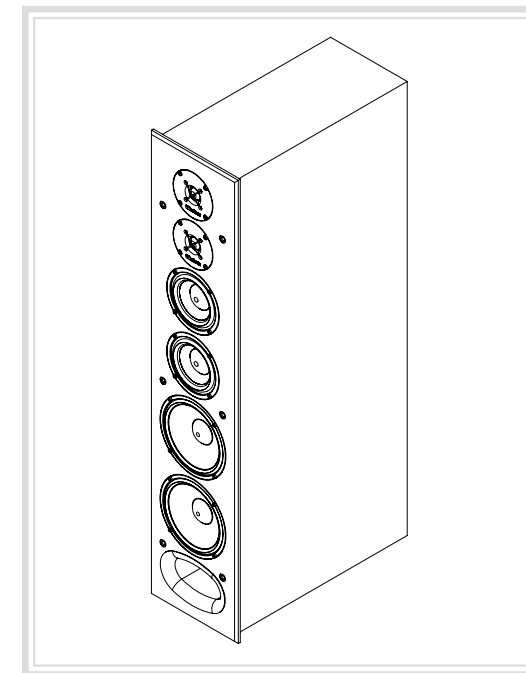
Any implied warranties including fitness for use and merchantability are limited in duration to the period of the express warranties set forth above, and no person is authorized to assume for Axiom Canada Inc. any other liability in connection with the sale of the product. Axiom Canada Inc. expressly disclaims liability for any incidental and consequential damages caused by the product. The remedies provided under this warranty are exclusive and in lieu of all others.

This warranty gives specific legal rights. In addition, there may be other legal rights arising from the sale of the product, which vary from province to province or state to state. Some provinces / states do not allow the exclusion or limitation of incidental or consequential damages, so the above limitation or exclusion may not apply in some areas.

Step-by-step instructions on configuring your in-wall speakers.

Instructions, étape par étape, pour la mise en fonction de vos enceintes "encastrées - en surface"

Location: / Positionnement:



This is by far the most important step before we even begin the installation. Separate the left and right speakers by about 5 to 10 feet, or roughly half the listening distance. Avoid corner locations if possible.

The Axiom T60/T80 Speakers are designed to be installed in the custom cabinets and will not fit in conventional walls

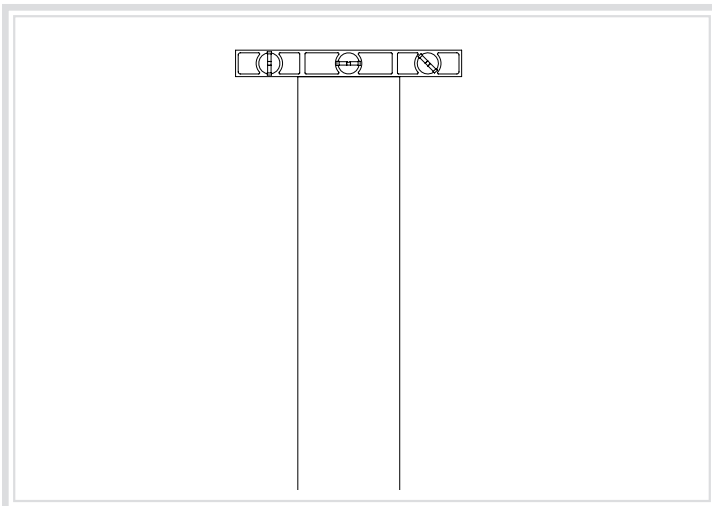
+++

Product Links:

<http://axiomaudio.com/t80.html>

Model:	T60:	T80:	Modèle:
Max Rec. Amp Power:	250 Watts	400 Watts	Puissance maximale admissible :
Min Amp Power:	10 Watts	10 Watts	Puissance minimale :
Response +/- 3dB:	37-22 kHz	34-22 kHz	Réponse en freq. +/- 3dB :
Response + 3dB/- 9dB:	27-22 kHz	25-22 kHz	Réponse en freq. + 3dB/- 9dB :
Impedance:	8 Ohms	4 Ohms	Impédance :
SPL In Room 1w/1m:	93 dB	95 dB	Sensibilité en salle 1w/1m :
SPL Anechoic 1w/1m:	89 dB	91 dB	Sensibilité Anéchoïque 1w/1m :
X-Over:	200 Hz / 2 kHz	160 Hz / 2.3 kHz	Filtre :
Tweeter:	Single 1"	Dual 1"	Transducteur d'aigu :
Midrange:	Single 5¼"	Dual 5¼"	Transducteur de médium :
Woofers:	Dual 6.5"	Dual 6.5"	Transducteur de grave :
On-wall Dimensions HWD mm:	1011.24 x 219.08 x 12.7	1011.24 x 219.08 x 12.7	Dimensions en saillie HLP mm :
In-wall Dimensions HWD mm:	997. x 197. x 375.	997. x 197. x 445.	Dimensions encastrées HLP mm:
On-wall Dimensions HWD inches:	39.81" x 8.63" x 0.5"	39.81" x 8.63" x 0.5"	Dimensions en saillie HLP inches :
In-wall Dimensions HWD inches:	39.25" x 7.75" x 14.75"	39.25" x 7.75" x 17.5"	Dimensions encastrées HLP :
Weight kg each:	21.6 kg	25.76 kg	Poids en Kilo chacun :
Weight lbs each:	47.6 lbs	56.8 lbs	Poids en lb chacun :

Step 1 / Étape 1:



Using the supplied template and a level (not included) mark an outline of the wall cutout to place the T60/T80 Speakers. Then carefully cut the selected area using a jigsaw or handsaw.

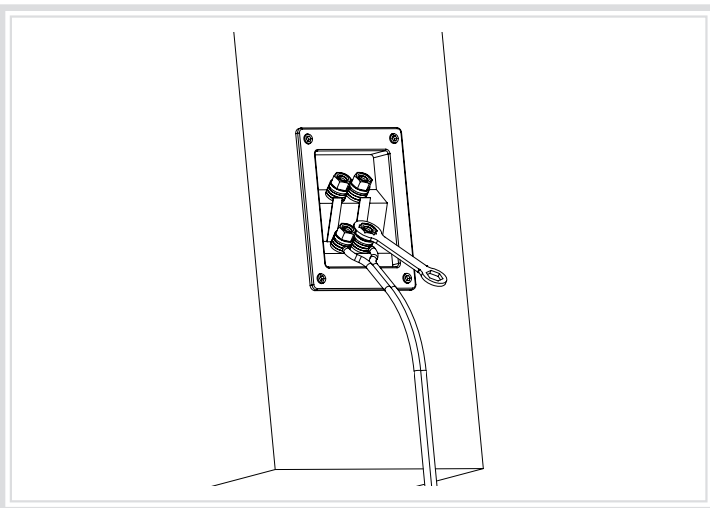
Warning: Make sure there aren't any other wires, pipes, or other fixtures that might be in the wall before cutting.

+++

À l'aide du gabarit inclus et d'un niveau (non-inclus) tracez sur le mur le contour de l'emplacement du haut-parleur de modèle "T". Par la suite, découpez l'endroit marqué à l'aide d'une scie sauteuse ou à gypse.

Avertissement: Assurez-vous qu'il n'y ait pas de fils, tuyaux ou autres accessoires qui sont à l'intérieur du mur avant de couper ce dernier.

Step 2 / Étape 2:

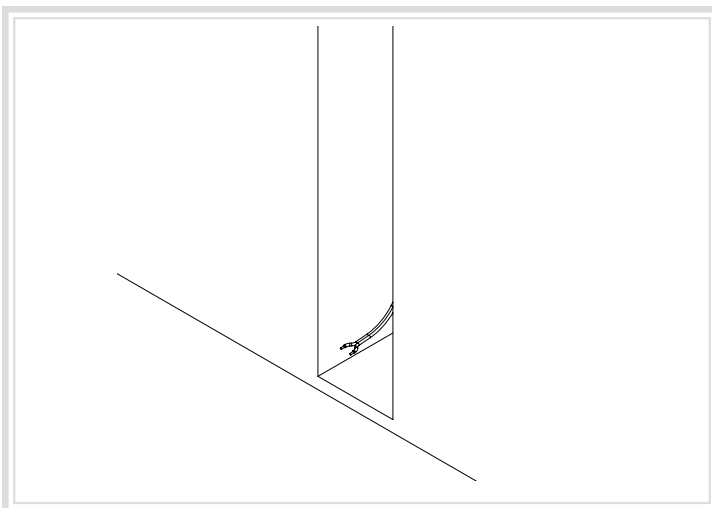


If your speaker wire is not already installed in the wall you will need to run it down inside your wall to your baseboard and then around the room to your amplifier or receiver.

+++

Si votre fil de haut-parleur n'est pas déjà installé à l'intérieur du mur; il faudra le descendre à l'intérieur du mur jusqu'à la plinthe et de là, autour de la pièce jusqu'à votre amplificateur ou récepteur Audio/Vidéo.

Step 3 / Étape 3:

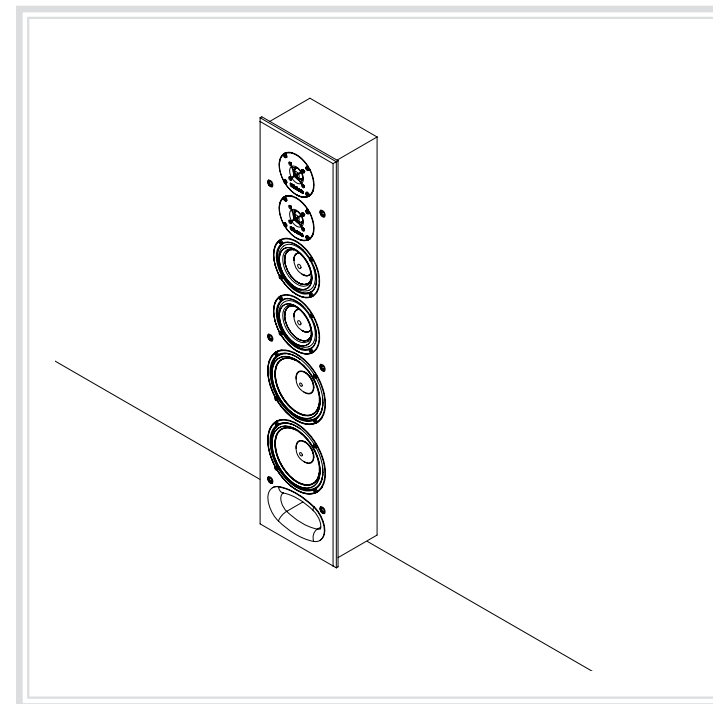


Insert the speaker wire into the hole in the binding posts of the T60/T80 Speaker, keeping the red and black (positive and negative) connections consistent. Use the supplied wrench to tighten down each nut to hold the wires in place.

+++

Insérez le fil d'haut-parleur à l'intérieur de l'orifice du bornier du haut-parleur de modèle "T" en prenant bien soin de respecter l'uniformité de la polarité rouge et noir (positif et négatif). À l'aide de la clé fournie, serrez chaque écrou pour immobiliser les fils en place.

Step 4 / Étape 4:



Slide the speaker into the wall cutout.

+++

If you have any further questions or concerns please contact one of our audio experts. 1-866-244-8796

+++

En cas de doute ou pour d'autres questions, s'il-vous-plaît, contactez un de nos conseillers Audio au 1-888-249-9143.

Requirements for painting: painters tape, paint and paint brush.

1. Apply painters tape along painted edge keeping off the raw material.

2. Keep painters tape within the recommended dimensions.

3. Apply paint to edge with paint brush. When dry remove tape.

