



VP100 On-Wall Center



Every member of our Axiom team is pleased that you have decided to purchase one of our products. We have all worked hard to bring the highest level of satisfaction to your audio experience.

Axiom is deeply committed to ongoing audio research. It began in the early 1980s when I was involved with the world-class psycho-acoustical research that was being conducted at the National Research Council in Ottawa, Canada. Since that time we have built one of the finest acoustical laboratories in the world at our facility in Dwight, Canada where we continue this research allowing Axiom to provide the world's most realistic-sounding loudspeakers.

At Axiom our goal is to provide you with a truly exciting and emotional experience every time you listen to your audio system. We want you to feel part of our Axiom family and as such we stand at the ready to deliver personal, expert advice on any of your audio needs.

Sincerely,

Ian Colquhoun
President and Founder
Axiom Audio

Placement

Ideally, locate your center-channel directly below or above your television -- but no more than 12 to 18 inches higher than the set, otherwise the sound will seem dislocated from the on-screen action. The Axiom On-Wall Speakers are designed to be installed on a common stud wall, preferably fastened directly to a stud. If this is not possible the use of a suitable wall anchor (not included) will be required.

Hookup

Turn the speakers around and look at the back panel. You'll see gold-plated 5-way binding posts, to which you are going to connect the speaker cables from your receiver or amplifier. Each gold binding post is colour coded. RED is POSITIVE, BLACK is NEGATIVE. You will also see a positive (+) sign engraved in the plastic beneath the RED binding post, and a negative (-) sign beneath the BLACK post. Your amplifier will likely have these same colours and/or symbols. Note: for surround and center channels the positive is likely a different colour on your receiver or amplifier. However, black is universally used for the negative (-).

Examine your speaker cables. There will be something to differentiate each wire in the pair of wires; the insulation may have color coding, or one wire may be copper-colored while the other is silver-coloured, or there may be printing on one of the wires, or a ribbed pattern on the plastic insulation of one of the wires. IT IS EXTREMELY IMPORTANT TO CHOOSE ONE WIRE TYPE TO BE THE NEGATIVE AND FOLLOW THAT THROUGH YOUR ENTIRE HOOKUP.

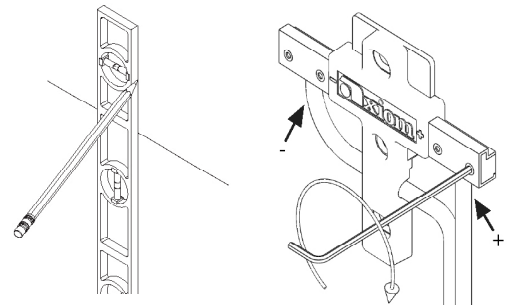
Power Bracket Installation

The Axiom Power Bracket provides easy wall mounting and electrical connections in one innovative design. Simply connect your speaker wires, mount the bracket to the wall, and hang your speaker. The negative is on the left side of the bracket and the positive is on the right. Optionally you can use the standard binding posts. Each gold binding post has a colored ring around it-- RED is POSITIVE, BLACK is NEGATIVE. Most receiver and amplifier manufacturers use this color code and you should use it as well--it makes things a lot easier to hook up your speaker cables.



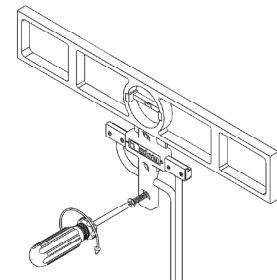
Step 1

Using a pencil and a level, draw intersecting horizontal and vertical lines on wall at desired speaker location. Note: It is extremely important to place the center of the Power Bracket up against a stud on the wall for security. Loosen clamps and insert wires. Ensure positive (+) wire from amp is in (+) side of power bracket. Tighten clamps.



Step 2

Place bracket on the wall and align with pencil lines. Install screws. Do not completely tighten yet. Place a level on top of power bracket and make any necessary adjustments. Tighten screws. Wash off pencil marks.

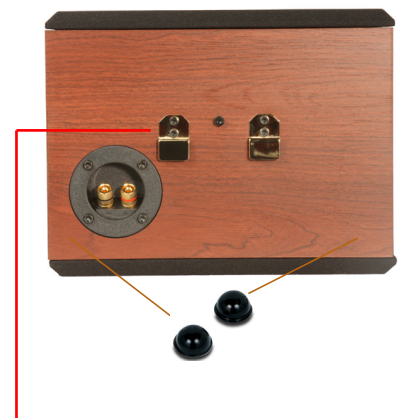


Step 3

Place the Wall Bumpers on the back bottom corner of the speaker.

Step 4

Lift your speaker over the Power Bracket and slide it down until the tabs on the back of your speaker rest securely on the Power Bracket.



WARNING: Do not loosen bolts on power tabs. Doing so will cause the speaker to lose electrical connection and render the speaker inoperable.



AXIOM AUDIO HEAD OFFICE: 2885 HIGHWAY 60
DWIGHT, ON CANADA
P0A 1H0

TOLL FREE (NORTH AMERICA): 1-888-352-9466
WORLDWIDE: 1-705-635-2222
EMAIL: INFO@AXIOMAUDIO.COM

www.axiomaudio.com